

Location:



T1500-PB-3 with Stainless Steel Integral Rail

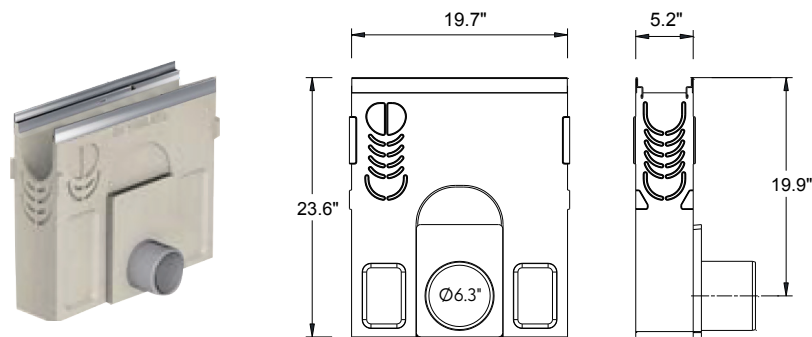
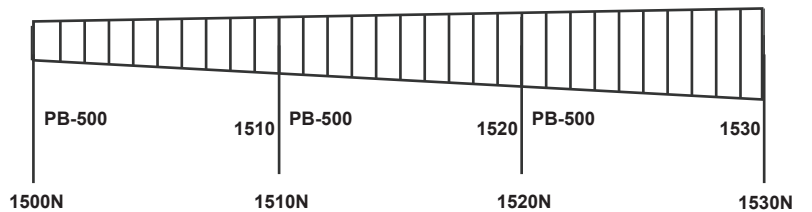
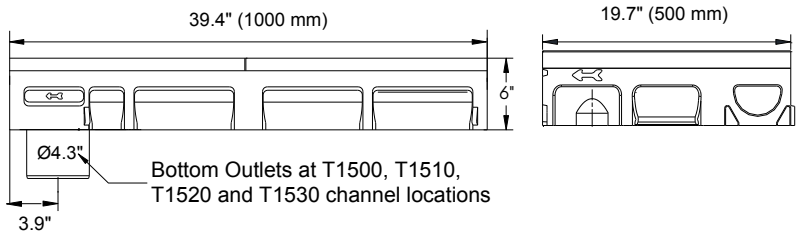
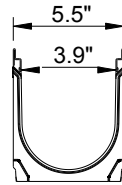


Specification:

MIFAB®'s T1500-PB-3 series channels shall be 39.4" (1000 mm) long with a 4" (100 mm) internal width. Interconnecting channels sections are made from high strength Polymer Concrete and available in sloping and non-sloping (neutral) channels. Each channel comes with a standard stainless steel edge rail which is mechanically embedded in the channel.

Installation devices, plastic end cap/outlet cap, and catch basins are available accessories. System comes complete with 4" preformed bottom outlets at neutral locations. Grates (separate Specification Sheets) are available in in Load Class A-E in a variety of materials. Grates utilize the patented "Clipfix" locking mechanism.

CHANNEL MODEL #	BODY TYPE Sloped - .5% Neutral - 0%	INVERT BODY DEPTH		OVERALL BODY DEPTH		MAXIMUM FLOW RATE GPM	WEIGHT (LESS GRATE) LBS.
		E1	E2	E1	E2		
		(Min.)	(Max.)	(Min.)	(Max.)		
T1500N-PB-3	Neutral	4.34"	4.34"	5.91"	5.91"	60.23	34.94
T1500N-PB-3-BO4	Neutral	4.34"	4.34"	5.91"	5.91"	60.23	31.97
T1500N-PB-13-500	Neutral	4.34"	4.34"	5.91"	5.91"	60.23	16.95
T1501-PB-3	Sloped	4.34"	4.53"	5.91"	6.11"	104.61	31.97
T1502-PB-3	Sloped	4.53"	4.73"	6.11"	6.30"	104.61	31.97
T1503-PB-3	Sloped	4.73"	4.93"	6.30"	6.50"	104.61	33.07
T1504-PB-3	Sloped	4.93"	5.12"	6.50"	6.70"	104.61	33.36
T1505-PB-3	Sloped	5.12"	5.32"	6.70"	6.89"	104.61	34.17
T1506-PB-13	Sloped	5.32"	5.52"	6.89"	7.09"	104.61	35.27
T1507-PB-3	Sloped	5.52"	5.71"	7.09"	7.29"	104.61	36.38
T1508-PB-3	Sloped	5.71"	5.91"	7.29"	7.49"	104.61	36.38
T1509-PB-3	Sloped	5.91"	6.11"	7.49"	7.68"	104.61	37.48
T1510-PB-3	Sloped	6.11"	6.30"	7.68"	7.88"	104.61	37.96
T1510-PB-3-BO4	Sloped	6.11"	6.30"	7.68"	7.88"	104.61	37.48
T1510N-PB-3	Neutral	6.30"	6.30"	7.88"	7.88"	112.54	37.99
T1510N-PB-3-BO4	Neutral	6.30"	6.30"	7.88"	7.88"	112.54	38.58
T1510N-PB-3-500	Neutral	6.30"	6.30"	7.88"	7.88"	112.54	19.84
T1511-PB-3	Sloped	6.30"	6.50"	7.88"	8.08"	137.90	39.03
T1512-PB-3	Sloped	6.50"	6.70"	8.08"	8.27"	137.90	39.65
T1513-PB-3	Sloped	6.70"	6.89"	8.27"	8.47"	137.90	40.26
T1514-PB-3	Sloped	6.89"	7.09"	8.47"	8.67"	137.90	40.88
T1515-PB-3	Sloped	7.09"	7.29"	8.67"	8.86"	137.90	41.50
T1516-PB-3	Sloped	7.29"	7.49"	8.86"	9.06"	137.90	42.11
T1517-PB-3	Sloped	7.49"	7.68"	9.06"	9.26"	137.90	42.73
T1518-PB-3	Sloped	7.68"	7.88"	9.26"	9.45"	137.90	43.35
T1519-PB-3	Sloped	7.88"	8.08"	9.45"	9.65"	137.90	43.97
T1520-PB-3	Sloped	8.08"	8.27"	9.65"	9.85"	137.90	44.58
T1520-PB-3-BO4	Sloped	8.08"	8.27"	9.65"	9.85"	137.90	44.58
T1520N-PB-3	Neutral	8.27"	8.27"	9.85"	9.85"	160.09	45.19
T1520N-PB-3-BO4	Neutral	8.27"	8.27"	9.85"	9.85"	160.09	45.19
T1520N-PB-3-500	Neutral	8.27"	8.27"	9.85"	9.85"	160.09	22.93
T1521-PB-3	Sloped	8.27"	8.47"	10.04"	10.24"	172.77	47.95
T1522-PB-13	Sloped	8.47"	8.67"	10.24"	10.44"	172.77	48.57
T1523-PB-3	Sloped	8.67"	8.86"	10.44"	10.63"	172.77	49.19
T1524-PB-3	Sloped	8.86"	9.06"	10.63"	10.83"	172.77	49.80
T1525-PB-3	Sloped	9.06"	9.26"	10.83"	11.03"	172.77	50.42
T1526-PB-3	Sloped	9.26"	9.45"	11.03"	11.23"	172.77	51.04
T1527-PB-3	Sloped	9.45"	9.65"	11.23"	11.42"	172.77	51.65
T1528-PB-3	Sloped	9.65"	9.85"	11.42"	11.62"	172.77	52.27
T1529-PB-3	Sloped	9.85"	10.04"	11.62"	11.82"	172.77	52.89
T1530-PB-3	Sloped	10.04"	10.24"	11.82"	12.01"	172.77	53.51
T1530-PB-3-BO4	Sloped	10.04"	10.24"	11.82"	12.01"	172.77	53.51



T1500-CB620-3
Stainless Steel
Edge

6" OUTLET CATCH BASIN
(4" OUTLET ALSO
AVAILABLE)
Sediment bucket included



CLIPFIX ADVANTAGE

The MEA polymer concrete channels have been designed for our universal CLIPFIX grate locking mechanism. The system (channel and grate) provides longitudinal shift protection.

Job Name: _____	Page No: _____
Section No: _____	Contractor: _____
Schedule No: _____	Purchase Order No: _____

Revision Date: 02/18/2022

CALIFORNIA PROPOSITION 65 WARNING. This product contains chemicals known to the State of California to cause cancer and birth defects or other reproductive harm.